

BINDINGAGENTSPREADER



MS F-3 | MS R-5 | TS 2-12

<http://amag.de>



MOUNTEDSPREADER

HIGHLIGHTS



- Easy to use control terminal – manual / automatic
- Exact spreading of binding agent
- Variable working width
- Dust curtain at the metering shaft
- Filling from BigBag possible



Technical Data	MS F-3	MS R-5
Container	3m ³	5m ³
Filling interface	3"	
Spreader Mechanism		
Dosing system	Aluminium	
Output quantity ¹	5 - 45 kg/m ²	
Spreading width	2500 mm	
Unladen weight	830 kg	1090 kg
Dimensions L x W x H	1.450 x 2.610 x 1.500mm	1.650 x 2.610 x 1.900mm
Vehicle Requirements		
Attachment	Linkage CAT2	Linkage CAT3
Hydraulics / Power	60 l/min / >80ps	

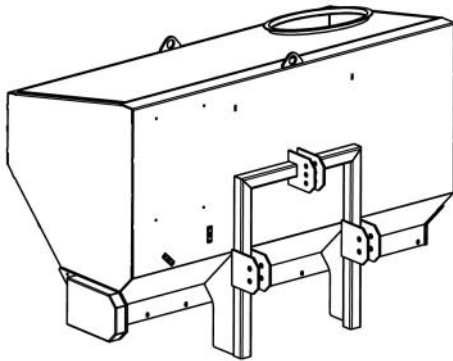
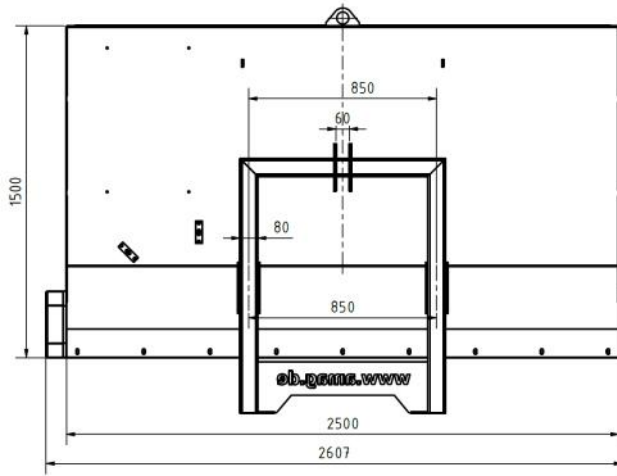
¹ Output quantity varies dependant on binding agent density

Equipment	MS F-3	MS R-5
Control terminal	■	
Fill level indicator	□	
Infinitely variable spreading volume	■	
Variable spreading width	□	
Tool storage	■	
Access hatch / Filling from the top	■	
Filling interface Storz, alternative on request FOC	■	
Filling interface 4" or 5"	□	
Paintwork	RAL 9001 cremeweiss	
Custom paintwork	□	

■ Standard □ Optional

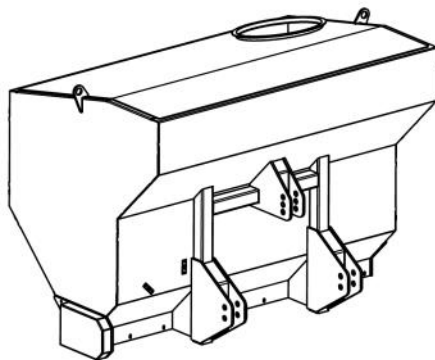
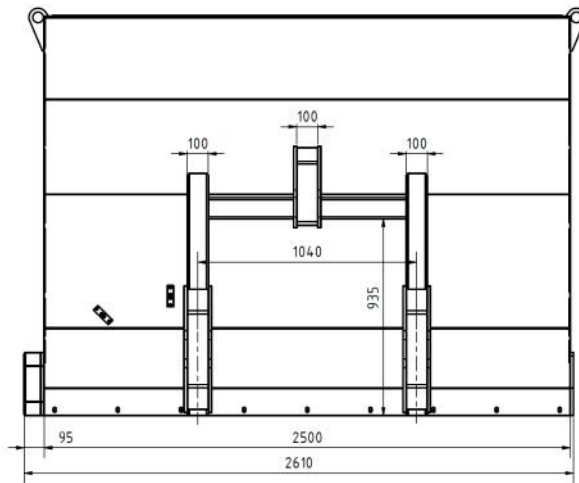
MS F-3

DIMENSIONS



Front-mounted
3m³ capacity

MS R-5



Rear-mounted
5m³ capacity

TOWEDSPREADER

HIGHLIGHTS



- Easy to use control terminal – manual / automatic
- Exact spreading of binding agent
- Variable working width
- Dust curtain at the metering shaft
- On-board weighing system



Technical Data	TS 2-12
Container	12m ³
Filling interface	3"
Screw conveyors	4
Spreader Mechanism	
Dosing system	Aluminium
Output quantity ¹	5 - 45 kg/m ²
Spreading width	2500 mm
Axles	2
Unladen weight	4.900 kg
Dimensions L x W x H	6.255 x 2.610 x 2.719mm
Vehicle Requirements	
Attachment	K-80
Hydraulics	60 l/min
Power take-off (PTO)	540/1000 rpm

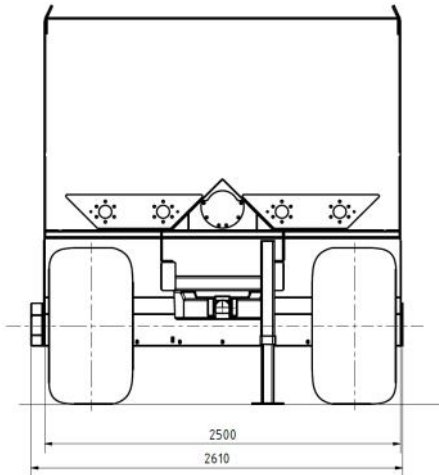
¹ Output quantity varies dependant on binding agent

Equipment	TS 2-12
Control terminal	■
Fill level indicator	■
Infinitely variable spreading volume	■
Variable spreading width	□
Tool storage	■
Ladder	■
Access hatch / Filling from the top	■
Wide tyres AS profile	■
Filling interface Storz, alternative on request FOC	■
Filling interface 4" or 5"	□
Filter system for dust-free filling	□
Dust-vacuum system for dust-free spreading	□
On-board weighing system	□
Paintwork	RAL 9001 cremeweiss
Custom paintwork	□
Alternative trailer coupling	□

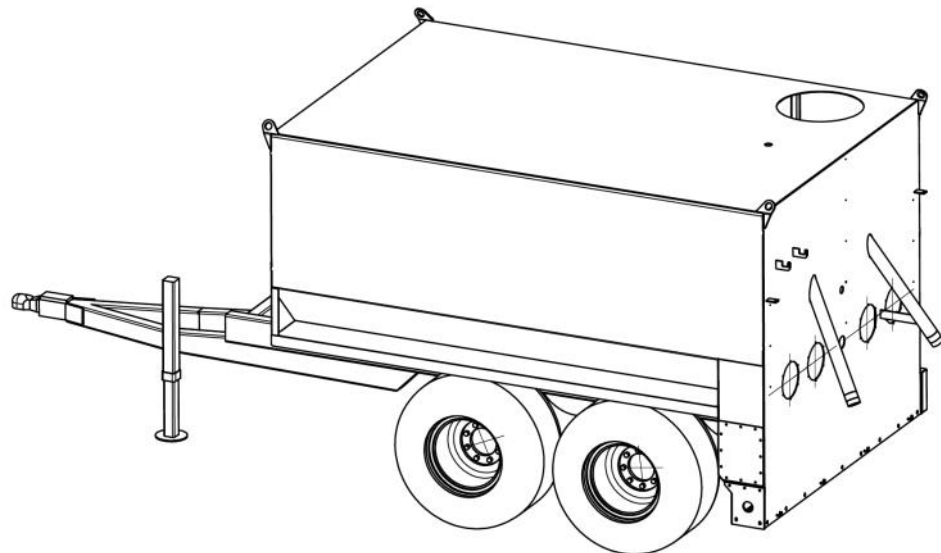
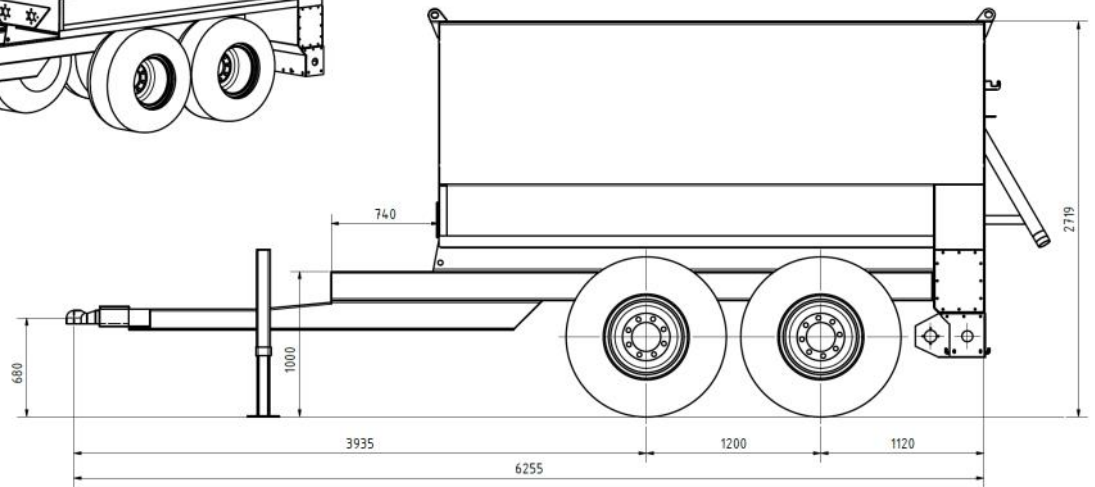
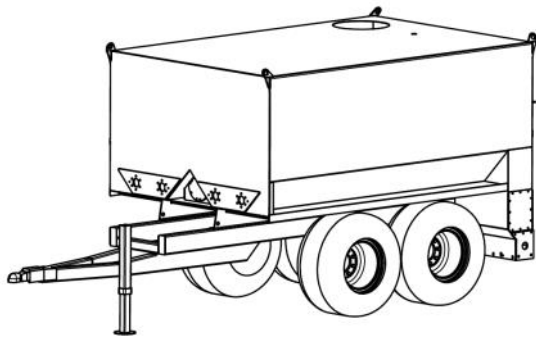
■ Standard □ Optional

TS 2-12

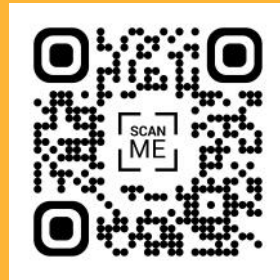
DIMENSIONS



2 axles
12m³ capacity



Innovating since 1957



amag GmbH

Hauptstrasse 100
56745 Bell
Germany

+49-2652-93936-0
info@amag.de
<http://amag.de>

