

petty-spreader® PS 2-11



Technical Specifications /
Detailed Information

Detailed Information

Drive unit

Engine power 147 KW/200 PS

Speed

Infinitely variable forward speed 0 - 20 km / h
 Infinitely variable reversing speed 0 - 20 km / h
 Working speed 0 - 5.000 m / h

Spreading

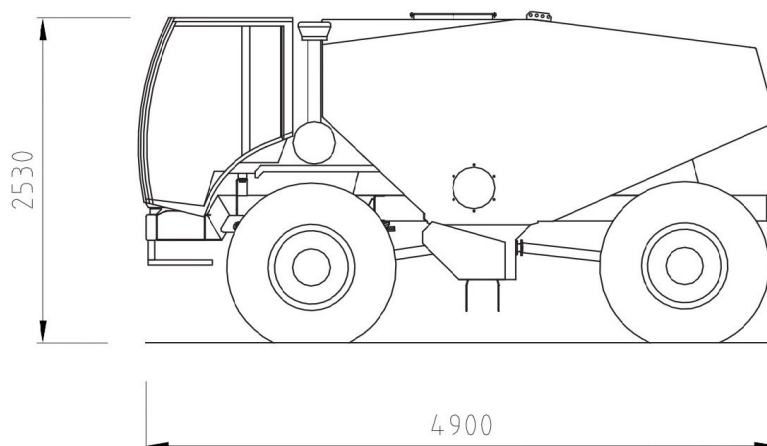
Daily output CEM I 230 t
 Spread area 4 - 45 kg / m²
 Spreading agents all dust based agents
 Max. spreading with 2,50 m
 Spread width control 50 cm on both sides

Weights, dimensions

Unladen weight 6,5 t
 Payload 11,0 t
 Max. operating weight 17,5 t
 Vehicle dimensions (L x W x H) 4,9 x 2,55 x 2,6 m

Fluid capacities

Fuel 200 l
 Hydraulic oil 85 l
 Cleaning-fluid (optional extra) 45 l
 Electrics 24 V



Equipment, Optional Extras

Binder sprayer from more than 45 years of practical experience in mixed-in-place

Vehicle:

- very quick and manoeuvrable machine as a result of compact construction and a short wheelbase.
- Exceptionally capable custom 2-axle all-terrain vehicle with all-wheel drive and wide off-road-tires.
- Wide, low-pressure tires provide optimal traction on any terrain leaving insignificant tracks.
- a rearward pointing camera allows precise reversing and manoeuvring without help of a third party (optional extra).
- A central lubrication system keeps the machine greased = low maintenance (optional extra).
- Extremely low centre of gravity ideal for rough terrain (below 1,70 m).
- Tires are within spreading width; therefore neighbouring lanes are not driven on.
- All wheel steering, allowing turning on the spot (optional extra).

Spreader technology:

- Daily output: ~ 230 t
- a binder sprayer tried and tested over 20 years - constantly refined
- The spreaders have an exact dosing system sensitive to speed and distance.
- An infinitely variable, speed dependant drive unit connected to a generously proportioned spreading rotor ensures even dispensing of the binding agent, down to the kilogram.
- Spreading area is set in second from min. 4 kg/m² to max. 45 kg/m².

- The binding agent is feed continuously to the spreading rotor from the main tank by an integrated an patented conveyor mechanism.

- No changes in volume as seen with pneumatic spreaders, no spread escapes through the sides as with a conveyor belt.

- Logical tank volume 11 t. 3 flings empty the silo truck (max. 33 t).

- All dust-based binding agents can be used with the spreader truck.

- Spreading width reduction on both sides every 50 cm by closing the dispensing roller (optional extra).

- Spreading mechanism is hydrostatic.

Transport- an operating speed:

- Spread- and working area infinitely variable from 0 to 5 km/h, with setting fixed as spreading starts.
- Infinitely variable transport speeds from 0 to 20 km/h.
- Acoustic and optic warning system active whilst reversing.

Miscellaneous:

- Cooling system (water, air, oil) mounted externally – away from the dust.
- Port-system to increase output during binding agent loading (optional extra).
- Mini-dust setup reducing dust during loading (optional extra).
- Efficient air blower system using engine emissions with 7,5 m 1" hose and a 2 m blow pipe, for machine cleaning (optional extra).



Equipment

Standard Equipment:

- very off-road capable 2-axle custom vehicle
- engine power 147 KW/ 200 bhp
- transport speed infinitely variable, automotive drive using joystick
- working speed also infinitely variable, but fixed during spreading – set using accelerator
- permanent all-wheel-drive
- differential lock rear axle
- 550 mm low-pressure wide tires for on-and off-road use
- precise dispensing over hydrostatic stainless steel V2A spread rotor
- spread amount infinitely adjustable in seconds via poti
- patented conveyor mechanism guarantees correct spreading
- tank filling via hose directly from silo truck or stationary silo 2,75 m in domed top
- elevated air intake with contamination display
- cooling system (water, air, oil) mounted externally – away from the dust
- elevated exhaust
- hydraulic filter with contamination display
- completely hydrostatically driven machine
- tow bar front and back
- reversing horn / reversing warning LED alternating red – yellow
- Hobbs meter

- 4 high power lights
- eyelets for securing when loaded
- 1 day training session onsite
- comprehensive tool-kit
- safety equipment with emergency cut off
- mechanical operation possible in the unlikely event of an electrical failure

Optional extras:

- Slightly pressurized cabin to prevent dust from entering
- air-pre-filter / pre-cyclone with ejector-suction
- central lubrication system – fully automatic
- custom paint
- air conditioning
- rearward pointing camera
- twin sound warning horn
- 710 mm low-pressure wide tires – rear axle

a-mag

a-mag off road machines AG

Am Sportplatz 2 - D-56745 Bell /Laacher See

Tel.: +49 (0) 2652 / 93 93 6 – 0

Fax.: +49 (0) 2652 / 93 93 6 – 99

info@a-mag.de - www.a-mag.eu